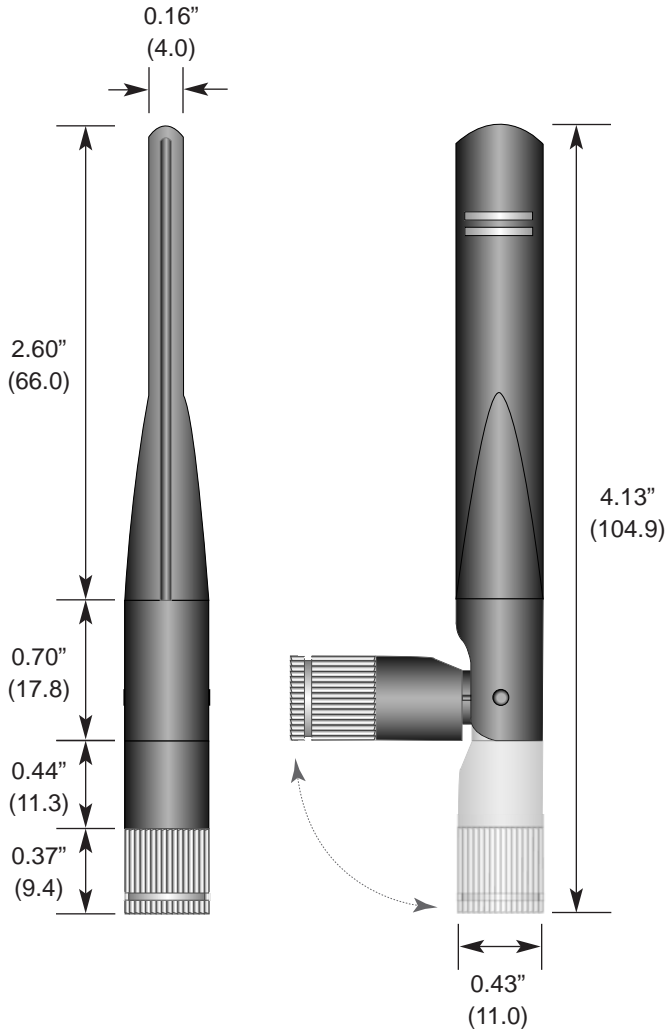


Product Dimensions



Description



The RAF is a compact, cosmetically attractive, dual-band, 1/2-wave antenna covering the popular 2.45 and emerging 5.8GHz bands. The antenna features a tilt and swivel joint which allows it to be oriented at straight or right angles to the product or conveniently folded for storage and shipment. It attaches using an SMA or Part 15 compliant RP-SMA connector.

Features

- Tilts and rotates
- Dual-band (2.45GHz and 5.8GHz)
- Excellent performance
- Omni-directional pattern
- Very low VSWR
- Rugged & damage-resistant
- Standard SMA or Part 15 compliant RP-SMA connector

Electrical Specifications

- Center Freq. Band 1 2.45GHz
Band 2 5.8GHz
- Bandwidth Band 1 120MHz
Band 2 875MHz
- Wavelength 1/4-wave
- VSWR <1.9 typ. at center
- Impedance 50 ohms
- Connector RP-SMA or SMA

Electrical specifications and plots measured on a 4.00" x 4.00" reference ground plane

Ordering Information

- ANT-DB1-RAF-RPS (with RP-SMA connector)
- ANT-DB1-RAF-SMA (with SMA connector)

VSWR Graph

